

## Introducing our remanufactured 5.9L LPG/CNG Cummins engine.

At JASPER we realize that our products must meet the needs of a diverse audience. We must also meet the demands to conserve our natural resources and provide for a cleaner environment. Through remanufacturing, we are able to recycle existing drive train products and give them new life and usefulness. Our alternate fuel related divisions and products take this philosophy one step further as we work to combine power and energy needs with cleaner burning fuels.

Our latest alternative fuel engine offer is the popular 5.9L Cummins LPG/CNG engine. These engines are used in shuttles, buses, local delivery trucks, step vans, yard spotters and recycling trucks.

JASPER diesel engines receive a **standard set of new parts** such as valves and springs, pistons, rings and bearings, gaskets and seals, liners, hoses, fittings and more as applicable to engine design, family and format. JASPER's new parts replacement assures consistent performance and reliability throughout the life of your engine.

The JASPER 5.9L LPG/CNG complete engine includes the oil pan, timing cover and valve cover.

At JASPER, we realize there are many ways to repair your vehicle's drive train components. But when all things are considered, the bottom line is value for your dollar which JASPER has delivered consistently since 1942. With the procedures we follow and a thorough installation, the remanufactured products of Jasper Engines & Transmissions provide the life and dependability of new products and meet your demands for quality, service and value at significant savings.

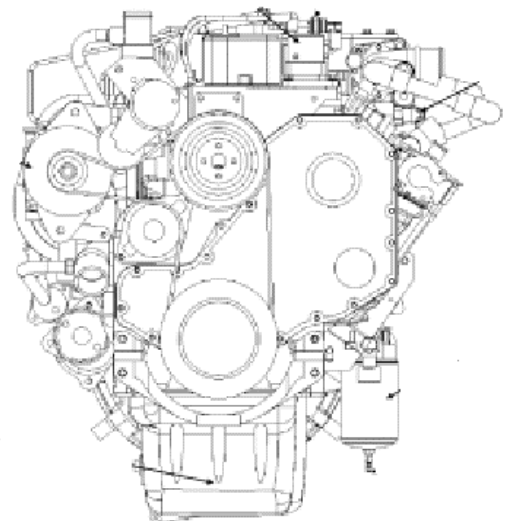


**1-800-827-7455**

**P.O Box 650, Jasper, IN 47546**

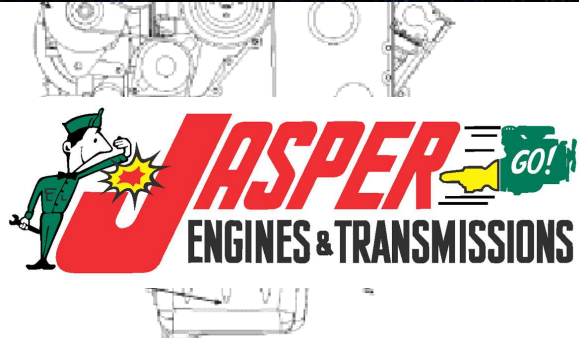
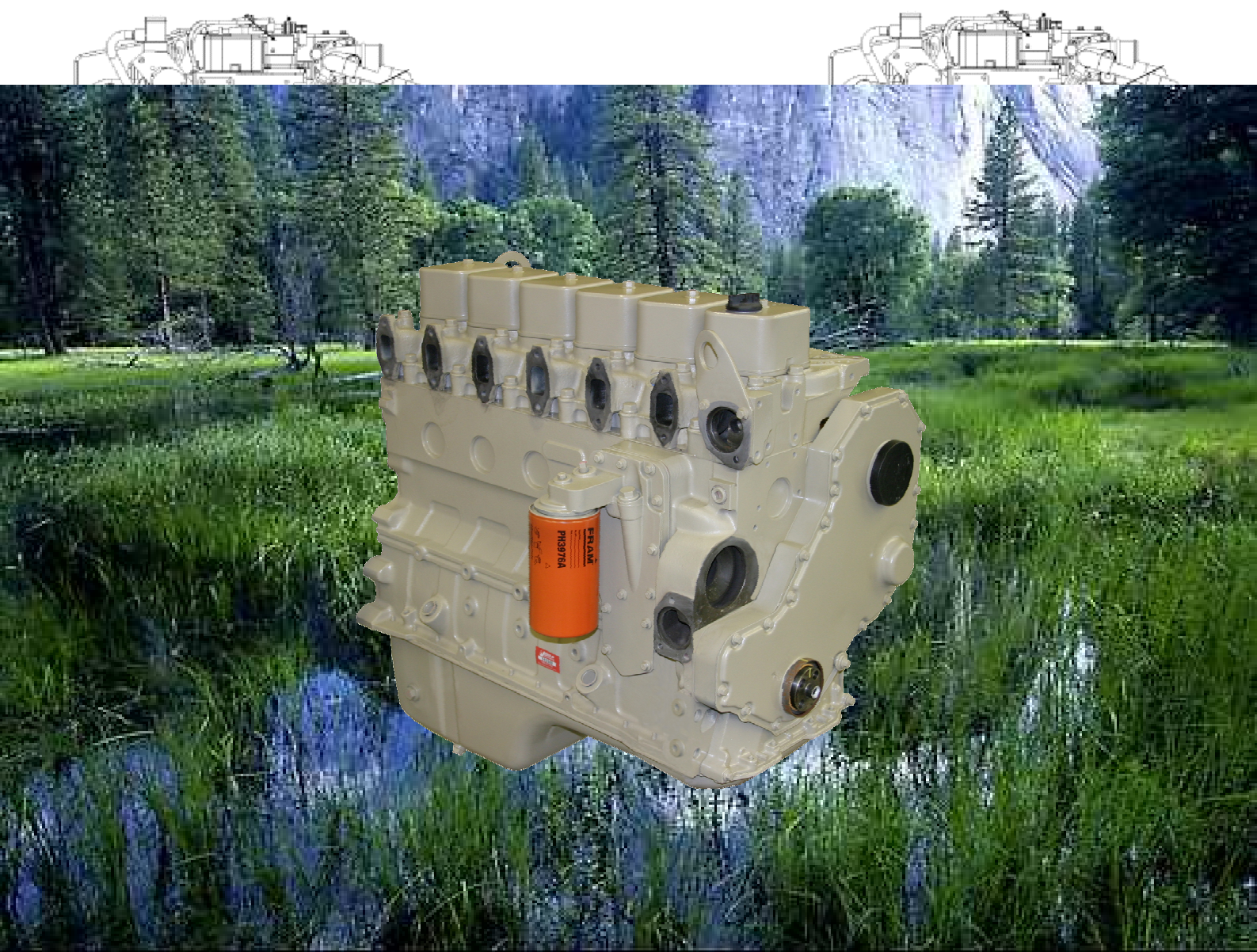
**Fax 812-634-1820**

**[www.jasperengines.com](http://www.jasperengines.com)**



# Jasper Engines & Transmissions

## 5.9L Remanufactured LPG/CNG Cummins Engine – Power with a Clear Advantage.



1-800-827-7455

[www.jasperengines.com](http://www.jasperengines.com)

